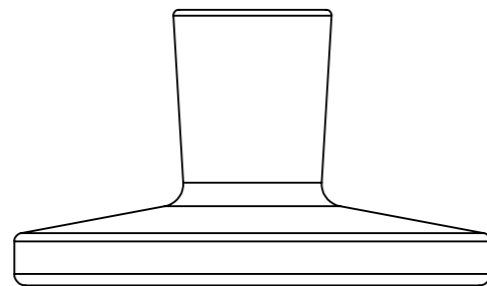
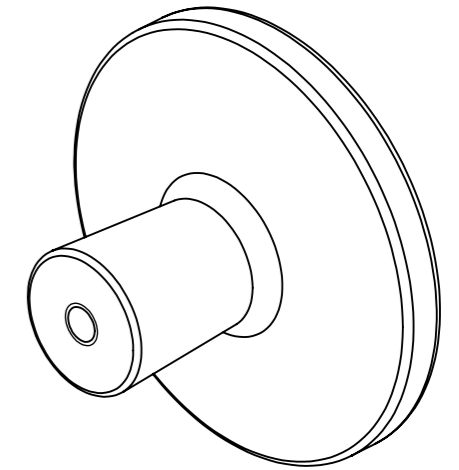
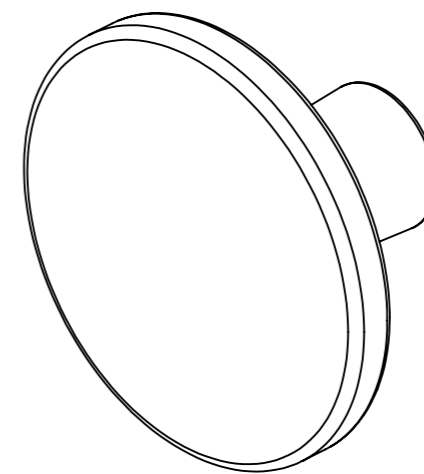
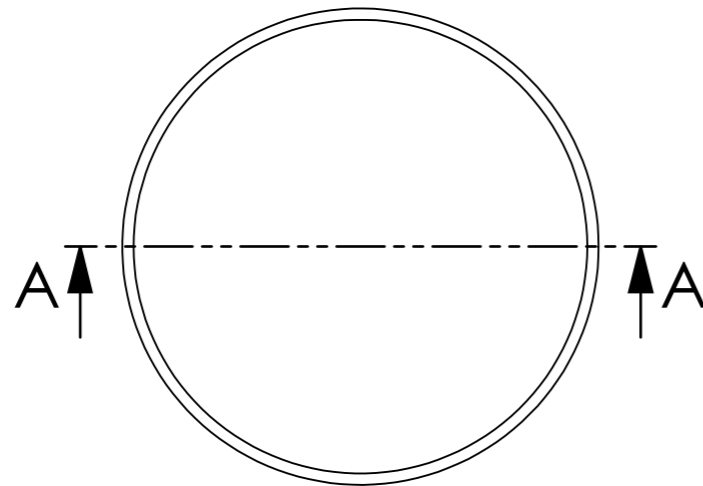
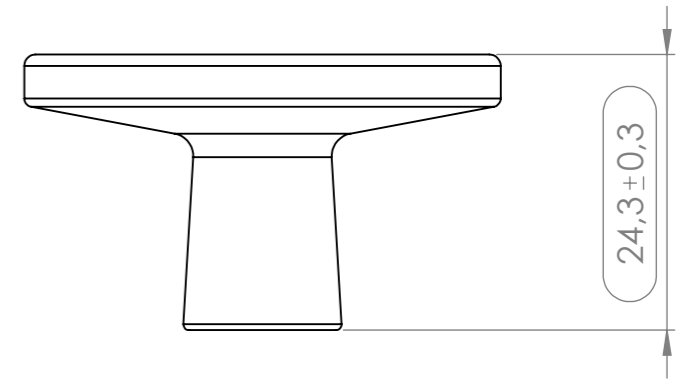
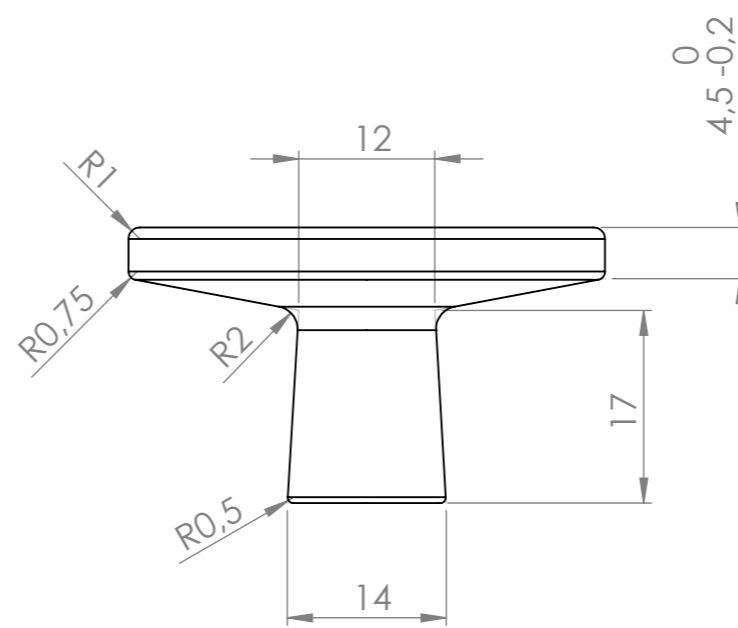


SECTION A-A



Rev.:	Date:	Name:	Description:
A	04-09-2017	IKR	Initial release
B	10-09-2018	MCH	Height changed

Part name: PLATO	Projection: 	Sheet format: A3	Tolerance unless otherwise specified DS/ISO 2768-1M																		
Customer:	Drawn by: MCH 03-05-2018	Scale: 1.5:1																			
Part no.: 441320042	Page 1 of 1	<table border="1"> <thead> <tr> <th>Linear dimensions:</th> <th>0-3</th> <th>3-6</th> <th>6-30</th> <th>30-120</th> <th>120-400</th> <th>400-1000</th> <th>1000-2000</th> <th>2000-4000</th> </tr> </thead> <tbody> <tr> <td></td> <td>± 0.1</td> <td>± 0.1</td> <td>± 0.2</td> <td>± 0.3</td> <td>± 0.5</td> <td>± 0.8</td> <td>± 1.2</td> <td>± 2</td> </tr> </tbody> </table>		Linear dimensions:	0-3	3-6	6-30	30-120	120-400	400-1000	1000-2000	2000-4000		± 0.1	± 0.1	± 0.2	± 0.3	± 0.5	± 0.8	± 1.2	± 2
Linear dimensions:	0-3	3-6	6-30	30-120	120-400	400-1000	1000-2000	2000-4000													
	± 0.1	± 0.1	± 0.2	± 0.3	± 0.5	± 0.8	± 1.2	± 2													
Material: Aluminium	Weight: 27.34 grams	<table border="1"> <thead> <tr> <th>Angle</th> <th>Radius</th> </tr> </thead> <tbody> <tr> <td>± 0.5°</td> <td>± 0.2</td> </tr> </tbody> </table>		Angle	Radius	± 0.5°	± 0.2														
Angle	Radius																				
± 0.5°	± 0.2																				
<table border="1"> <tr> <td colspan="2" rowspan="2">furnipart®</td> <td>Delta 2</td> <td>Phone: +45 87 64 35 00</td> </tr> <tr> <td>DK-8382 Hinnerup</td> <td>Fax: +45 87 64 35 01</td> </tr> </table>		furnipart®		Delta 2	Phone: +45 87 64 35 00	DK-8382 Hinnerup	Fax: +45 87 64 35 01	<p>Copyright: THIS DRAWING MAY NOT BE COPIED OR REPRODUCED IN ANY WAY WITHOUT DIRECT PERMISSION FROM FURNIPART A/S</p>													
furnipart®				Delta 2	Phone: +45 87 64 35 00																
		DK-8382 Hinnerup	Fax: +45 87 64 35 01																		